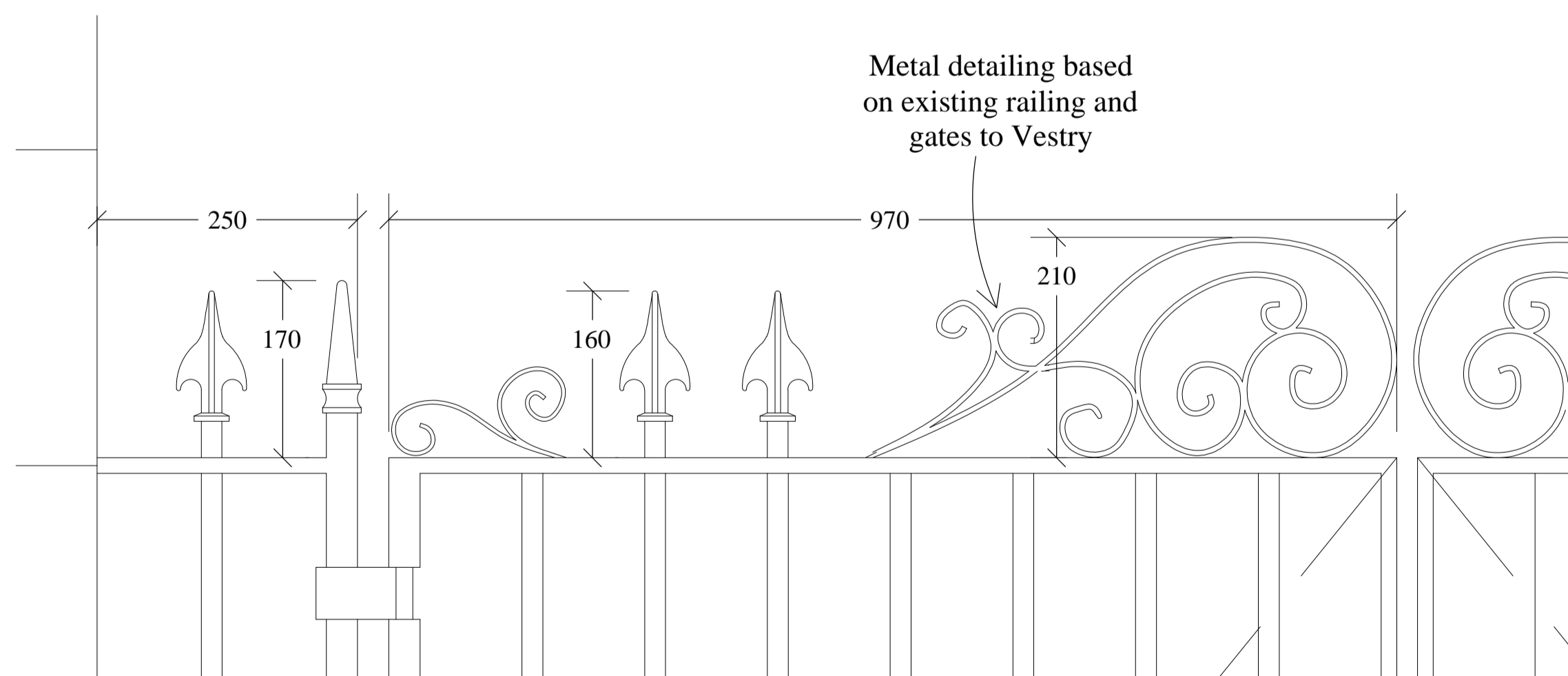
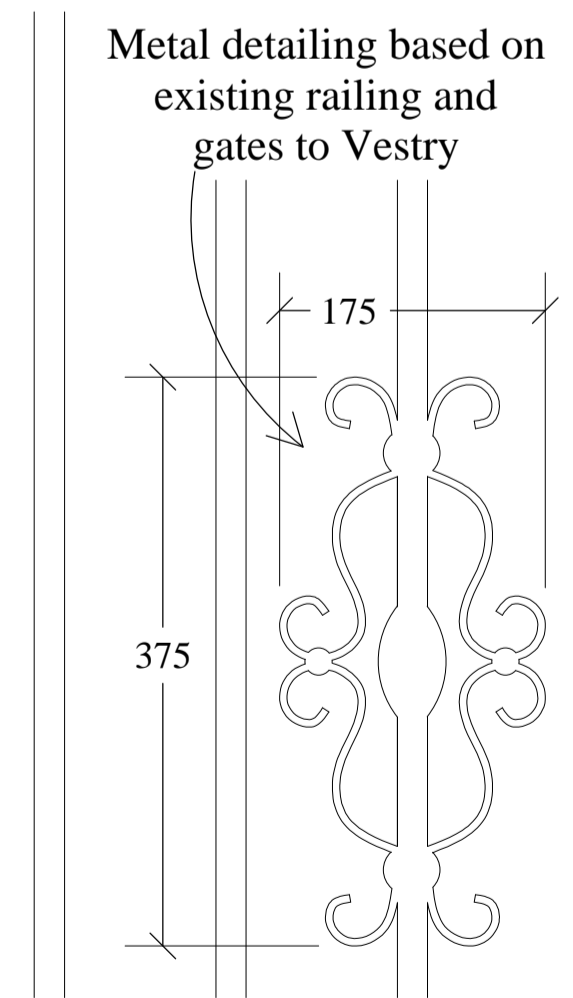


01 Proposed Railings and Gates to Narthex
1:20@A1



02 Railings and Gates Detail
1:5@A1



03 Railings Detail
1:5@A1



04 Existing Railings and Gates to Vestry
NTS

ISSUED FOR TENDER

No. NOTES (STATUS: F. FEASIBILITY S. SKETCH DESIGN P. PLANNING B. BUILDING CONTROL D. DESIGN DEV / PRELIM M. MEASUREMENT T. TENDER C. CONTRACT R. RECORD W. WORKING DRAWING)

- 1 For construction use only if status 'C' and checked against current revision
- 2 All dimensions to be checked on site by contractor
- 3 Do not scale from this drawing
- 4 Unless otherwise indicated all dimensions are in millimetres

Rev	Date	Drawn	Auth	REVISIONS
D	15/01/16	RXB	NML	ISSUED FOR CONSTRUCTION
C	10/08/15	NML	FM	TENDER ISSUE
B	20/02/15	NML	FM	Structures and Railings Update
A	30/04/13	NML	FM	General Update
-	13/07/10	NML	FM	Initial Issue

DONALD INSALL ASSOCIATES LIMITED

19 West Eaton Place Eaton Square London SW1X 8LT Tel: 020 7245 9888 Fax: 020 7235 4370 Email: london@insall-architects.co.uk

Job Emmanuel Church, West Hampstead
Title Narthex Railings and Gates

CHARTERED ARCHITECTS
PLANNING CONSULTANTS

Job	ECWH	Status
No	Rev	T
3700		D
Scale (A1) 1:	N	A